



WILCOX ELIMINATOR

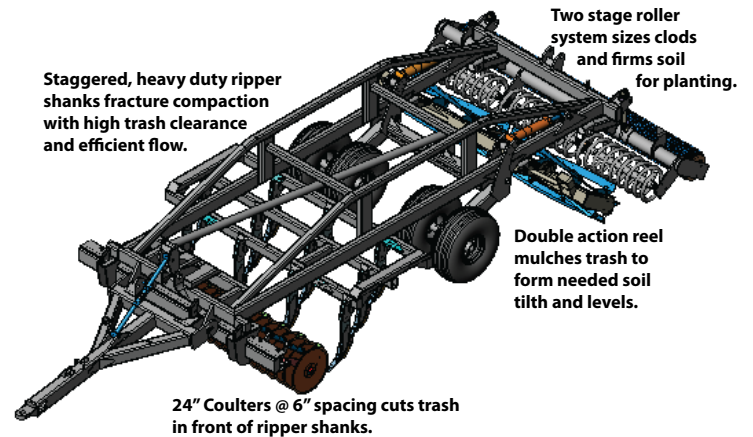
SINGLE ROTOR



An advanced tillage tool with primary & secondary tillage benefits. Delivers maximum cultural benefits for \$ of tillage investment.



- When the aggressive nature of a single rotor will satisfy the conditions
- This single rotor machine was designed to match smaller tillage tractors (180-300 hp)
- In many situations growers still recognize conservation tillage benefits at a lower price
- Manufactured with the same heavy duty components used in our larger units



GREAT FINISH WITH A SINGLE PASS
REDUCES CROP INPUT COSTS · IMPACTS YIELD POTENTIAL
IMPROVES CASH FLOW · IMPROVES PROFITABILITY



ADVANCED AG TILLAGE SOLUTIONS SINCE 1973



Walnut Grove, CA 95690 www.wilcoxap.com

WILCOX Single Rotor Eliminator - A Closer Look



WILCOX HD Ripper Shanks fracture soil up to 16" depth.

24" Coulters @6" spacing cut trash and open soil ahead of ripper shanks



Aggressive action from Rotor mulches organic matter back into the soil and leaves level surface for sizing and firming by Two Stage Roller..



SAVES TIME & MONEY - trash incorporated, soil fractured, mulched, leveled and firm. Ready for listing or planting well before the time it would take for traditional multi-pass tillage operations.



ADVANCED AG TILLAGE SOLUTIONS SINCE 1973

14180 Highway 160, PO Box 70 Walnut Grove, CA 95690

(916) 776-1784 FAX: (916) 776-1602 www.wilcoxap.com

